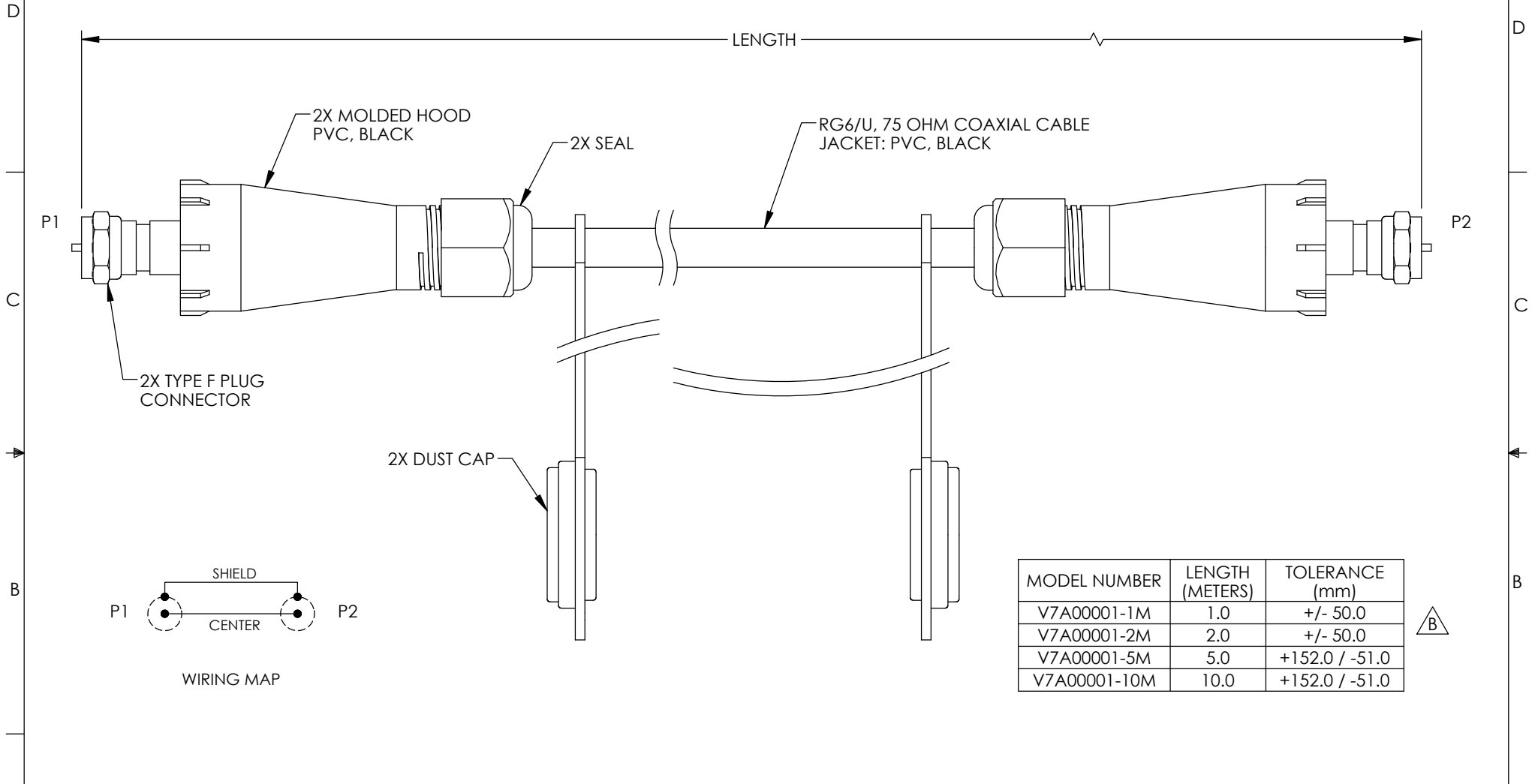


THE INFORMATION CONTAINED IN THIS DRAWING IS THE SOLE PROPERTY OF L-COM, INC. ANY REPRODUCTION IN PART OR WHOLE WITHOUT THE WRITTEN PERMISSION OF L-COM, INC. IS PROHIBITED.


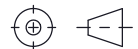
REVISIONS			
REV	DESCRIPTION	DATE	APPROVED
A	INITIAL RELEASE	04/29/2021	MBLACKWOOD
B	ECN 11417: REVISED TOLERANCE OF OF -1M, -2M FROM 30mm TO 50mm	10/11/2021	DGUST



MODEL NUMBER	LENGTH (METERS)	TOLERANCE (mm)
V7A00001-1M	1.0	+/- 50.0
V7A00001-2M	2.0	+/- 50.0
V7A00001-5M	5.0	+152.0 / -51.0
V7A00001-10M	10.0	+152.0 / -51.0

NOTES:

- CABLE ASSEMBLY SHALL BE TESTED FOR CONTINUITY.
- IP RATING: IP 68, WHEN MATED
- CABLE ASSEMBLY SHALL BE INDIVIDUALLY PACKAGED IN ACCORDANCE WITH L-COM SPECIFICATION PS-0031.

UNLESS OTHERWISE SPECIFIED, DIMENSIONS ARE IN INCHES [mm] OVERALL CABLE LENGTH TOLERANCE: ≤12 [305] = +1 [25] / -0 >12 [305] ≤60 [1524] = +2 [51] / -0 >60 [1524] ≤120 [3048] = +4 [102] / -0 >120 [3048] ≤300 [7620] = +6 [152] / -0 >300 [7620] = +5% / -0 ALL OTHER DIMENSIONAL TOLERANCES: .X = ± .2 [5] FRACTIONS ± 1/32 .XX = ± .02 [.5] ANGLES ± 1° .XXX = ± .005 [.13]	APPROVALS DRAWN BY DFRISIELLO CHECKED BY MBLACKWOOD APPROVED BY MBLACKWOOD	DATE 04/29/2021 04/29/2021 04/29/2021	 50 High Street, West Mill, North Andover, MA 01845 USA. Phone: 1.800.341.5266 1.978.682.6936	
	THIRD-ANGLE PROJECTION 	CONFIGURATION DETAILS OF UNDIMENSIONED FEATURES MAY VARY COLOR VARIATIONS MAY OCCUR		CATEGORY COAXIAL
SIZE A		CAGE CODE 43321	ITEM NO. V7A00001	REV. B
SCALE: NONE		CAD FILE: V7A00001.SLDDRW		SHEET 1 OF 1