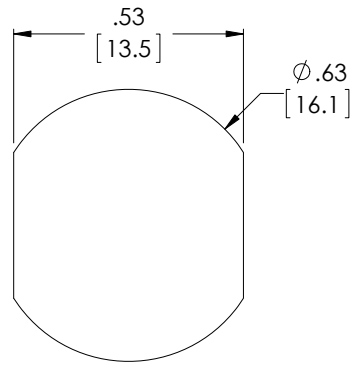
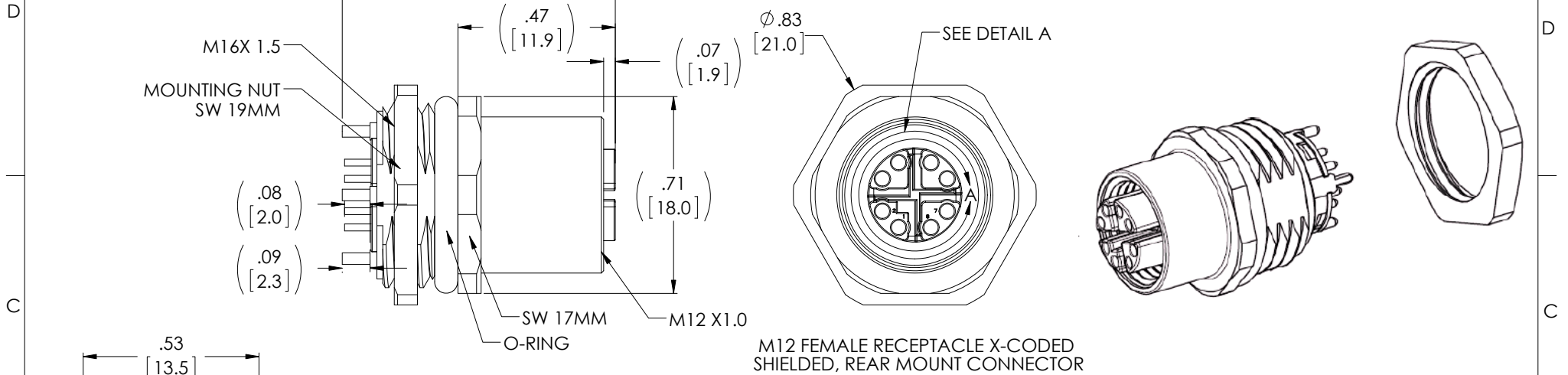
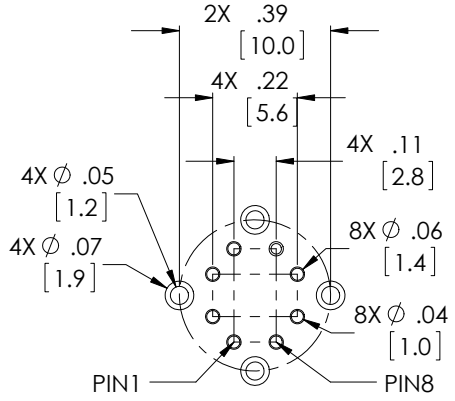


THE INFORMATION CONTAINED IN THIS DRAWING IS THE SOLE PROPERTY OF L-COM, INC. ANY REPRODUCTION IN PART OR WHOLE WITHOUT THE WRITTEN PERMISSION OF L-COM, INC. IS PROHIBITED.

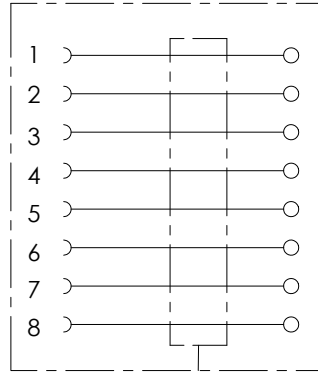
REVISIONS			
REV	DESCRIPTION	DATE	APPROVED
A	INITIAL RELEASE PER DUSTIN GUTTADAURO	03/28/17	J.LABOY



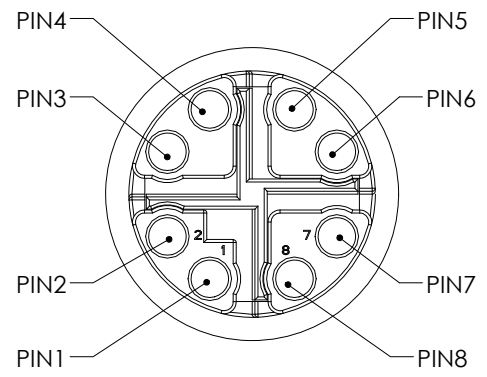
M12 FEMALE RECEPTACLE X-CODED SHIELDED, REAR MOUNT CONNECTOR



RECOMMEND LAYOUT THICKNESS OF PCB: 1.55MM



SCHEMATIC DIAGRAM



DETAIL A CONNECTOR PIN ASSIGNMENT

RECOMMENDED CUT-OUT SIZE
MAX PANEL THICKNESS: 4.5MM

NOTES

- MECHANICAL DATA:**
1. CODING: M12, X-CODED, FEMALE
 2. LOCKING OF PORTS SCREW THREAD: M12 x 1 MM (RECOMMENDED TORQUE 0.6 NM) SELF-SECURING
 3. PROTECTION: IP67 (WHEN MATED AND TIGHTENED, EN 60529)
 4. HOUSING: ZINC, PRESSURE DIE CASTING, SURFACE NICKEL
 5. TEMPERATURE RANG: -40 TO +85 °C

- MISCELLANEOUS:**
1. OPERATING VOLTAGE: MAX 50 V AC/60 V DC
 2. OPERATING CURRENT: PER CONTACT MAX 0.5 A
 3. TRANSFER PARAMETERS: CAT6, CLASS EA (ISO/IEC 11801:2002), (EN 50173-1)
 4. TRANSFER RATE: 10 GBIT/S
 5. SHIPS UNASSEMBLED

REGULATORY COMPLIANCE:
CE2011/65/EU (RoHS DIRECTIVE)

UNLESS OTHERWISE SPECIFIED, DIMENSIONS ARE IN INCHES [mm] OVERALL CABLE LENGTH TOLERANCE: ≤12 [305] = +1 [25] / -0 >12 [305] ≤60 [1524] = +2 [51] / -0 >60 [1524] ≤120 [3048] = +4 [102] / -0 >120 [3048] ≤300 [7620] = +6 [152] / -0 >300 [7620] = +5% / -0% ALL OTHER DIMENSIONAL TOLERANCES: .X = ± .2 [5.08] .XX = ± .02 [51] .XXX = ±.005 [1.3]	APPROVALS DRAWN BY D.CUI	DATE 03/14/17		50 HIGH STREET NORTH ANDOVER, MA 01845	
	CHECKED BY B.ZHANG	03/14/17		CATEGORY TELECOM/MODULAR	
	APPROVED BY S.PAN	03/14/17		PRODUCT DESCRIPTION M12 FEMALE RECEPTACLE X CODED REAR MOUNT SOLDER	
	PROJECTION 	COLOR VARIATIONS MAY OCCUR		SIZE A	FSCM NO. 43321
		SCALE: NONE	CAD FILE: REC-M128XFR.SLDDRW	SHEET 1 OF 1	