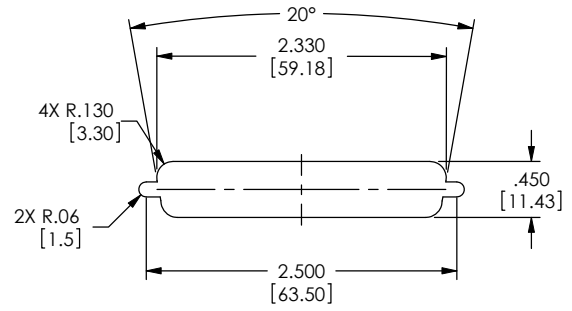


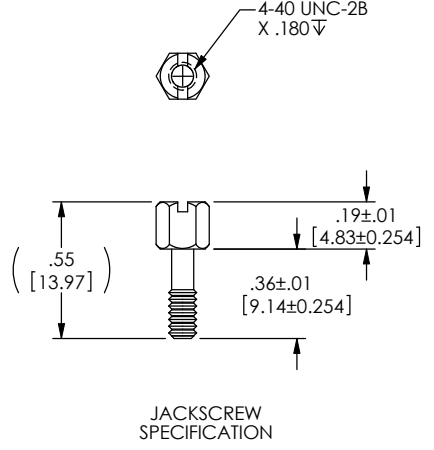
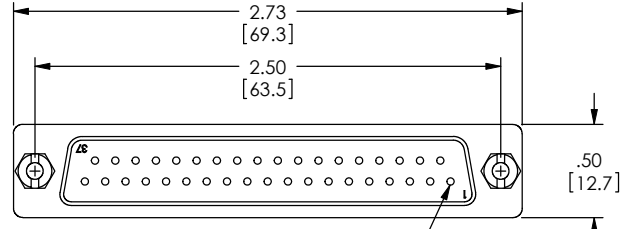
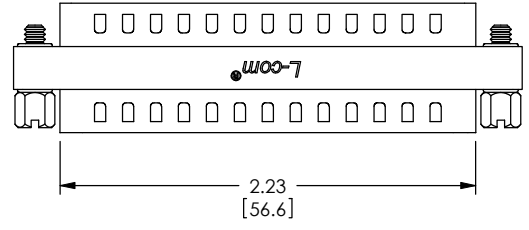
THE INFORMATION CONTAINED IN THIS DRAWING IS THE SOLE PROPERTY OF L-COM, INC. ANY REPRODUCTIONS IN PART OR WHOLE WITHOUT THE WRITTEN PERMISSION OF L-COM, INC. IS PROHIBITED.

REVISIONS			
REV	DESCRIPTION	DATE	CHANGED BY
G	ECN 99999: UPDATED DRAWING AND NEW FORMAT	2/8/10	D.FRISIELLO
H	ECN 5937: ADDED NOTE FOR PANEL MOUNTING	1/23/12	D.FRISIELLO



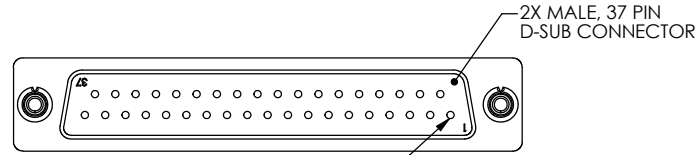
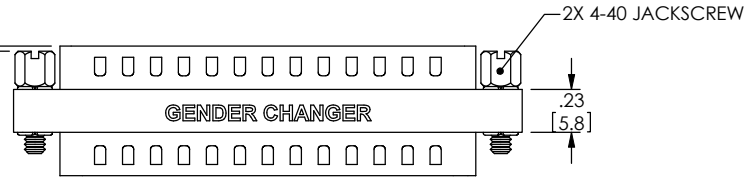
RECOMMENDED PANEL OPENING
(MAX PANEL THICKNESS: 0.06")

NOTE: DIFFERENT STANDOFFS AND JACK SCREWS ARE REQUIRED FOR PANEL MOUNTING. SEE WWW.L-COM.COM OR MASTER CATALOG FOR DETAILS.



NOTES:
MATERIAL:
 SHELL: STEEL
 CONTACTS: COPPER ALLOY
 HARDWARE: BRASS
 INSULATOR: PBT FIBER REINFORCED (UL94V-0 RATED)
FINISH:
 SHELL: TIN/NICKEL PLATED
 CONTACTS: GOLD FLASH PLATED, 1-5μ INCHES
 HARDWARE: NICKEL PLATED
ELECTRICAL:
 CURRENT RATING: 3 AMP
 INSULATION RESISTANCE: 1000 MΩ MIN @500 VDC
 DIELECTRIC WITHSTANDING VOLTAGE: 1000 VAC (FOR ONE MINUTE)
MISCELLANEOUS:
 OPERATING TEMPERATURE RANGE: -55°C TO +105°C.
 ALL PINS WIRED STRAIGHT THROUGH.
 COMPONENT SHALL BE TESTED FOR CONTINUITY.
LABELING:
 PANTONE 2945 BLUE. "L-COM" FONT MyriaMM ITALIC.
 "GENDER CHANGER" FONT ARIAL BOLD, TEXT HEIGHTS: .085"
 TEXT COLOR: WHITE.
PACKAGING:
 COMPONENT SHALL BE INDIVIDUALLY PACKAGED IN ACCORDANCE WITH L-COM SPECIFICATION PS-0031.

2X $\begin{matrix} .03^{+.00} \\ -.03 \\ 0 \\ 0.76 \end{matrix}$ $\begin{matrix} 0 \\ -.762 \end{matrix}$



RoHS Compliant ✓

UNLESS OTHERWISE SPECIFIED, DIMENSIONS ARE IN INCHES (mm)
 DIMENSIONAL TOLERANCES:
 .X = ±.1
 .XX = ±.01
 .XXX = ±.005
 ANGULAR TOLERANCES:
 ALL = ±1°

APPROVALS	DATE
DRAWN BY R.CARRICK	09/28/2002
CHECKED BY T.CLARK	09/28/2002
APPROVED BY D.PARHAM	09/28/02

L-com Global Connectivity		45 BEECHWOOD DRIVE NORTH ANDOVER, MA 01845	
CATEGORY D-SUBMINIATURE			
PRODUCT DESCRIPTION GENDER CHANGER, DB37 MALE/MALE			
SIZE B	PSCM NO. 43321	DWG. NO. DGB37M	REV. H
SCALE: 2:1		CAD FILE: DGB37M.SLDDRW	
			SHEET 1 OF 1

